

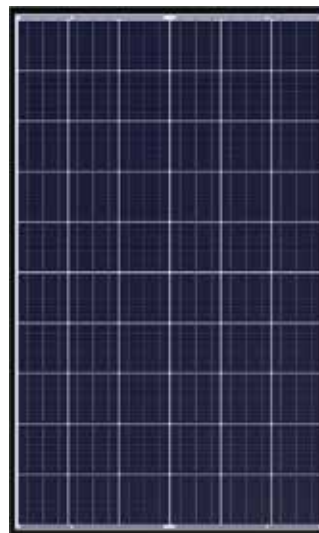
# SN 60-Cell Polycrystalline PV Module

SN250P-10 / SN255P-10 / SN260P-10 / SN265P-10



## 250 ~ 265 Watt

Continuously manufacturing PV modules since 1991, S-Energy is one of the most experienced module makers in the industry. More than 20 years of operating data support S-Energy's reputation as the best overall quality, performance, and value for solar investors. The cutting-edge SN-series leads the industry again in advanced design, construction, and performance. The SN-series is the ideal module for any system size in any given environment. With the quality to last the lifetime of the PV system, S-Energy's SN-series provides the confidence and assurance to each and every one of our customers.

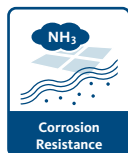


### Features



#### ENHANCED EXTERNAL LOAD / IMPACT

Snow Load : 5,400 Pa (30T) / 8,400 Pa (40T)  
 Wind Load : 2,400 Pa (30T) / 5,400 Pa (40T)  
 Hail Impact : 30.7 m/s (speed ball)



#### ENVIRONMENT RESISTANCE

Suitable for extreme conditions  
 Resistant to high salt mist and ammonia  
 (certified by TÜV Rheinland)



#### POWER ADVANTAGE

25-year, linear power warranty  
 > 97.5% nominal power during 1st year  
 Positive tolerance up to +5W



#### PID RESISTANCE

Enhanced potential induced degradation



#### FIRE SAFETY

UL1703 Fire Classification : Type 1, Type 2



#### AVAILABLE IN TWO THICKNESSES

Standard (30T) and 40T for more durability

### Qualifications & Certifications

IEC 61215 & 61730, UL1703  
 ISO 9001, ISO 14001, OHSAS 18001



### Mechanical Characteristics

Solar Cells	Polycrystalline 156mm x 156mm (6 inches)
Number of Cells	60 Cells, 6 x 10 matrix
Dimensions	1650 x 990 x 30 mm (30T) / 1650 x 990 x 40 mm (40T)
Weight	17 kg (37.48 lbs) / 17.5kg (38.58 lbs)
Front Glass	High-Transmittance Low Iron Tempered Glass
Frame	Anodized Aluminum Frame
Output Cables	PV Wire (PV1-F), 12AWG (4mm <sup>2</sup> ), Cable Length : 1000mm
Connectors	MC4 Connectable

### Warranty

Product Warranty	10-year Limited Product Warranty
Performance Warranty	Minimum Power Output for Year 1 : 97.5%
	Maximum Power Decline from Year 2 to 24 : 0.7%
	Power Output at year 25 : 80.7%

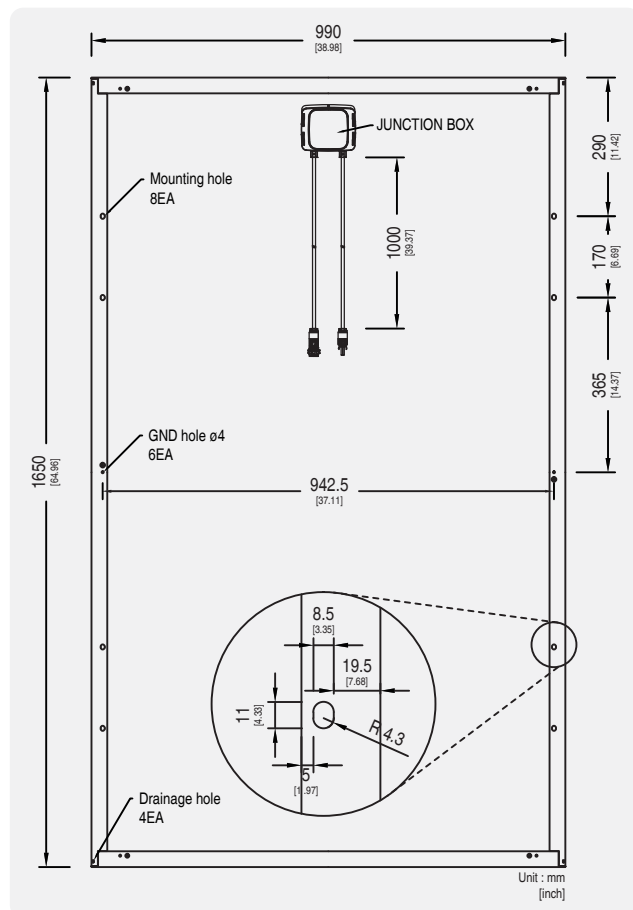
# SN 60-Cell Polycrystalline PV Module

SN250P-10 / SN255P-10 / SN260P-10 / SN265P-10



## Electrical Characteristics

STC (Irradiance 1000W/m <sup>2</sup> , module temperature 25°C, AM=1.5)	SN250P-10	SN255P-10	SN260P-10	SN265P-10
Rated Power (P <sub>max</sub> )	250W	255W	260W	265W
Voltage at P <sub>max</sub> (V <sub>mp</sub> )	29.7V	30.0V	30.2V	30.7V
Current at P <sub>max</sub> (I <sub>mp</sub> )	8.42A	8.50A	8.60A	8.64A
Warranted Minimum P <sub>max</sub>	250W	255W	260W	265W
Short-Circuit Current (I <sub>sc</sub> )	8.86A	8.93A	8.98A	9.24A
Open-Circuit Voltage (V <sub>oc</sub> )	37.3V	37.6V	38.0V	38.1V
Module Efficiency	15.30%	15.61%	15.92%	16.22%
Operating Module Temperature	-40°C to +85°C			
Maximum System Voltage	1000V <sub>DC</sub> (UL)			
Maximum Series Fuse Rating	15A			
Maximum Reverse Current	20.25A			
Power Tolerance	0 ~ +5 W			

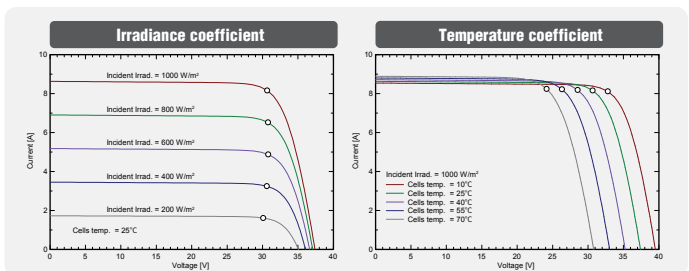


## Temperature Characteristics

Temperature Coefficient of I <sub>sc</sub>	0.056 / °C
Temperature Coefficient of V <sub>oc</sub>	-0.301 / °C
Temperature Coefficient of Power	-0.398 / °C
NOCT (T <sub>air</sub> 20°C ; Irradiance 800W/m <sup>2</sup> ; Wind 1m/s)	45±2 °C

## Packing Configuration

	30T	40T
Container	40' DRY	40' H/C
Modules Per Pallet	25 pcs	25 pcs
Pallets Per Container	26 pallets	26 pallets
Modules Per Container	650 pcs	650 pcs



## Remarks :

P<sub>max</sub> measurement tolerance : ±2.5%  
 S-Energy uses triple AAA class simulator.  
 Specification subject to change without prior notice. S-Energy reserves the rights of final interpretation.  
 Document : SE-Datasheet\_SN 60-Cell\_3BB\_2015\_US\_V01

### S-Energy Co., Ltd.

Address. 3rd Fl., Miraeasset Tower, 685, Sampyeong-dong, Bundang-gu, Seongnam-si, Gyeonggi-do 463-400, Republic of KOREA  
 Tel. +82-70-4339-7100 Fax. +82-70-4339-7199 E-mail. inquiry@s-energy.com

### SEAI America, Inc. (d.b.a. S-Energy America)

Address. 20 Corporate Park, Suite 190, Irvine, CA 92606, U.S.A.  
 Tel. +1-949-281-7897 Fax. +1-949-281-7893 E-mail. sales.us@s-energy.com

### S-Energy Japan Co., Ltd.

Address. 1-6-9, Koujijmachi, Chiyoda-ku, Tokyo, DIK Koujijmachi building 3F-A, Japan  
 Tel. +81-3-6261-3759 Fax. +81-3-6261-3769 E-mail. toru.yasuda@s-energy.com