



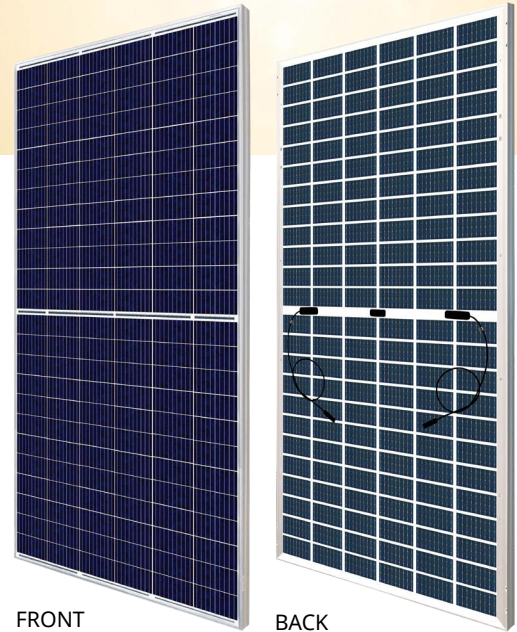
# BiHiKu

**SUPER HIGH POWER BIFACIAL POLY PERC MODULE**

**390 W ~ 410 W**

**UP TO 30% MORE POWER FROM THE BACK SIDE**

**CS3W-390 | 395 | 400 | 405 | 410PB-AG**



### MORE POWER



Up to 30% more power from the back side



24 % more front side power than conventional modules



Low NMOT:  $41 \pm 3 \text{ }^\circ\text{C}$   
Low temperature coefficient (Pmax):  $-0.37 \text{ } \%/ \text{ }^\circ\text{C}$



Better shading tolerance

### MORE RELIABLE



Lower internal current, lower hot spot temperature



Minimizes micro-cracks and snail trails



Heavy snow load up to 5400 Pa, wind load up to 2400 Pa \*



Fire Class A and Type 3 / Type 13



**linear power output warranty\***



**enhanced product warranty on materials and workmanship\***

\*According to the applicable Canadian Solar Limited Warranty Statement.

### MANAGEMENT SYSTEM CERTIFICATES\*

ISO 9001:2015 / Quality management system  
ISO 14001:2015 / Standards for environmental management system  
OHSAS 18001:2007 / International standards for occupational health & safety

### PRODUCT CERTIFICATES\*

IEC 61215 / IEC 61730: VDE / CE / MCS / INMETRO  
UL 1703 / IEC 61215 performance: CEC listed (US)  
UL 1703: CSA / IEC 61701 ED2: VDE / IEC 62716: VDE / IEC 60068-2-68: SGS  
Take-e-way

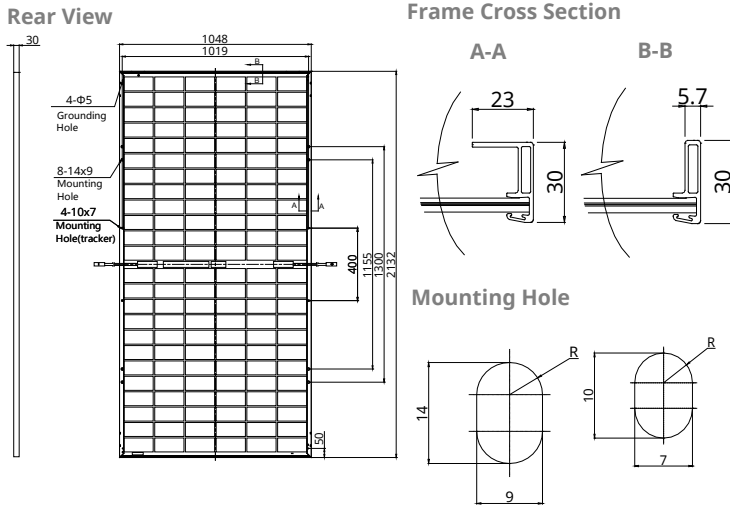


\* As there are different certification requirements in different markets, please contact your local Canadian Solar sales representative for the specific certificates applicable to the products in the region in which the products are to be used.

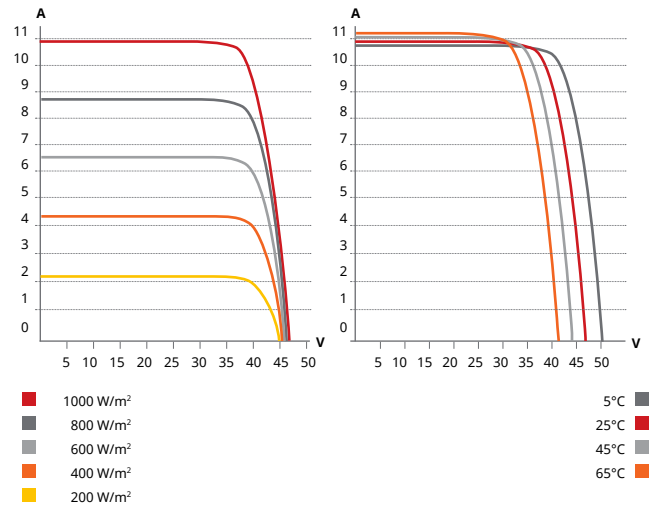
**CANADIAN SOLAR INC.** is committed to providing high quality solar products, solar system solutions and services to customers around the world. No. 1 module supplier for quality and performance/price ratio in IHS Module Customer Insight Survey. As a leading PV project developer and manufacturer of solar modules with over 36 GW deployed around the world since 2001.

\* For detail information, please refer to Installation Manual.

## ENGINEERING DRAWING (mm)



## CS3W-400PB-AG / I-V CURVES



## ELECTRICAL DATA | STC\*

|                        | Nominal Max. Power (P <sub>max</sub> ) | Opt. Operating Voltage (V <sub>mp</sub> ) | Opt. Operating Current (I <sub>mp</sub> ) | Open Circuit Voltage (V <sub>oc</sub> ) | Short Circuit Current (I <sub>sc</sub> ) | Module Efficiency |
|------------------------|--|---|---|---|--|-------------------|
| <b>CS3W-390PB-AG</b>   | 390 W                                  | 38.3 V                                    | 10.19 A                                   | 46.8 V                                  | 10.74 A                                  | 17.45%            |
| <b>Bifacial Gain**</b> | 5%                                     | 410 W                                     | 38.3 V                                    | 10.71 A                                 | 46.8 V                                   | 18.35%            |
|                        | 10%                                    | 429 W                                     | 38.3 V                                    | 11.21 A                                 | 46.8 V                                   | 19.20%            |
|                        | 20%                                    | 468 W                                     | 38.3 V                                    | 12.23 A                                 | 46.8 V                                   | 20.95%            |
|                        | 30%                                    | 507 W                                     | 38.3 V                                    | 13.25 A                                 | 46.8 V                                   | 22.69%            |
| <b>CS3W-395PB-AG</b>   | 395 W                                  | 38.5 V                                    | 10.26 A                                   | 47 V                                    | 10.82 A                                  | 17.68%            |
| <b>Bifacial Gain**</b> | 5%                                     | 415 W                                     | 38.5 V                                    | 10.78 A                                 | 47 V                                     | 18.57%            |
|                        | 10%                                    | 435 W                                     | 38.5 V                                    | 11.3 A                                  | 47 V                                     | 19.47%            |
|                        | 20%                                    | 474 W                                     | 38.5 V                                    | 12.31 A                                 | 47 V                                     | 21.21%            |
|                        | 30%                                    | 513 W                                     | 38.5 V                                    | 13.34 A                                 | 47 V                                     | 22.96%            |
| <b>CS3W-400PB-AG</b>   | 400 W                                  | 38.7 V                                    | 10.34 A                                   | 47.2 V                                  | 10.9 A                                   | 17.90%            |
| <b>Bifacial Gain**</b> | 5%                                     | 420 W                                     | 38.7 V                                    | 10.86 A                                 | 47.2 V                                   | 18.80%            |
|                        | 10%                                    | 440 W                                     | 38.7 V                                    | 11.37 A                                 | 47.2 V                                   | 19.69%            |
|                        | 20%                                    | 480 W                                     | 38.7 V                                    | 12.41 A                                 | 47.2 V                                   | 21.48%            |
|                        | 30%                                    | 520 W                                     | 38.7 V                                    | 13.44 A                                 | 47.2 V                                   | 23.27%            |
| <b>CS3W-405PB-AG</b>   | 405 W                                  | 38.9 V                                    | 10.42 A                                   | 47.4 V                                  | 10.98 A                                  | 18.13%            |
| <b>Bifacial Gain**</b> | 5%                                     | 425 W                                     | 38.9 V                                    | 10.94 A                                 | 47.4 V                                   | 19.02%            |
|                        | 10%                                    | 445 W                                     | 38.9 V                                    | 11.46 A                                 | 47.4 V                                   | 19.92%            |
|                        | 20%                                    | 486 W                                     | 38.9 V                                    | 12.5 A                                  | 47.4 V                                   | 21.75%            |
|                        | 30%                                    | 527 W                                     | 38.9 V                                    | 13.56 A                                 | 47.4 V                                   | 23.59%            |
| <b>CS3W-410PB-AG</b>   | 410 W                                  | 39.1 V                                    | 10.49 A                                   | 47.6 V                                  | 11.06 A                                  | 18.35%            |
| <b>Bifacial Gain**</b> | 5%                                     | 431 W                                     | 39.1 V                                    | 11.03 A                                 | 47.6 V                                   | 19.29%            |
|                        | 10%                                    | 451 W                                     | 39.1 V                                    | 11.54 A                                 | 47.6 V                                   | 20.18%            |
|                        | 20%                                    | 492 W                                     | 39.1 V                                    | 12.59 A                                 | 47.6 V                                   | 22.02%            |
|                        | 30%                                    | 533 W                                     | 39.1 V                                    | 13.64 A                                 | 47.6 V                                   | 23.85%            |

\* Under Standard Test Conditions (STC) of irradiance of 1000 W/m², spectrum AM 1.5 and cell temperature of 25°C.

\*\* Bifacial Gain: The additional gain from the back side compared to the power of the front side at the standard test condition. It depends on mounting (structure, height, tilt angle etc.) and albedo of the ground.

## ELECTRICAL DATA

|                            |  |
|----------------------------|--|
| Operating Temperature      | -40°C ~ +85°C                                    |
| Max. System Voltage        | 1500 V (IEC/UL) or 1000 V (IEC/UL)               |
| Module Fire Performance    | TYPE 3 / Type 13 (UL 1703) or CLASS A (IEC61730) |
| Max. Series Fuse Rating    | 25 A   |
| Application Classification | Class A  |
| Power Tolerance            | 0 ~ + 5 W  |
| Power Bifaciality*         | 70 %   |

\* Power Bifaciality =  $P_{max_{rear}} / P_{max_{front}}$ , both  $P_{max_{rear}}$  and  $P_{max_{front}}$  are tested under STC, Bifaciality Tolerance: ± 5 %

\* The specifications and key features contained in this datasheet may deviate slightly from our actual products due to the on-going innovation and product enhancement. Canadian Solar Inc. reserves the right to make necessary adjustment to the information described herein at any time without further notice. Please be kindly advised that PV modules should be handled and installed by qualified people who have professional skills and please carefully read the safety and installation instructions before using our PV modules.

## CANADIAN SOLAR INC.

545 Speedvale Avenue West, Guelph, Ontario N1K 1E6, Canada, [www.canadiansolar.com](http://www.canadiansolar.com), [support@canadiansolar.com](mailto:support@canadiansolar.com)

## ELECTRICAL DATA | NMOT\*

|                      | Nominal Max. Power (P <sub>max</sub> ) | Opt. Operating Voltage (V <sub>mp</sub> ) | Opt. Operating Current (I <sub>mp</sub> ) | Open Circuit Voltage (V <sub>oc</sub> ) | Short Circuit Current (I <sub>sc</sub> ) |
|----------------------|--|---|---|---|--|
| <b>CS3W-390PB-AG</b> | 291 W                                  | 35.7 V                                    | 8.15 A                                    | 44.0 V                                  | 8.66 A                                   |
| <b>CS3W-395PB-AG</b> | 295 W                                  | 35.9 V                                    | 8.21 A                                    | 44.2 V                                  | 8.72 A                                   |
| <b>CS3W-400PB-AG</b> | 299 W                                  | 36.1 V                                    | 8.27 A                                    | 44.4 V                                  | 8.79 A                                   |
| <b>CS3W-405PB-AG</b> | 302 W                                  | 36.3 V                                    | 8.33 A                                    | 44.6 V                                  | 8.85 A                                   |
| <b>CS3W-410PB-AG</b> | 306 W                                  | 36.5 V                                    | 8.39 A                                    | 44.8 V                                  | 8.92 A                                   |

\* Under Nominal Module Operating Temperature (NMOT), irradiance of 800 W/m² spectrum AM 1.5, ambient temperature 20°C, wind speed 1 m/s.

## MECHANICAL DATA

| Specification                      | Data  |
|------------------------------------|---|
| Cell Type                          | Poly-crystalline  |
| Cell Arrangement                   | 144 [2X (12 X6)]  |
| Dimensions                         | 2132 × 1048 × 30 mm (83.9 × 41.3 × 1.2 in)  |
| Weight                             | 28.2 kg (62.2 lbs)  |
| Front / Back Glass                 | 2.0 mm heat strengthened glass  |
| Frame                              | Anodized aluminium alloy  |
| J-Box                              | IP68, 3 diodes  |
| Cable                              | 4.0 mm² (IEC), 12 AWG (UL)  |
| Cable Length (Including Connector) | Portrait: 400 mm (15.7 in) (+) / 280 mm (11.0 in) (-); landscape: 1400 mm (55.1 in); leap-frog connection: 1850 mm (72.8 in)* |
| Connector                          | T4 series or H4 UTX or MC4-EVO2   |
| Per Pallet                         | 35 pieces   |
| Per Container (40' HQ)             | 700 pieces or 560 pieces (only for US and Canada)   |

\* For detailed information, please contact your local Canadian Solar sales and technical representatives.

## TEMPERATURE CHARACTERISTICS

| Specification                               | Data         |
|---|--------------|
| Temperature Coefficient (P <sub>max</sub> ) | -0.37 % / °C |
| Temperature Coefficient (V <sub>oc</sub> )  | -0.29 % / °C |
| Temperature Coefficient (I <sub>sc</sub> )  | 0.05 % / °C  |
| Nominal Module Operating Temperature        | 41 ± 3°C     |

## PARTNER SECTION

