

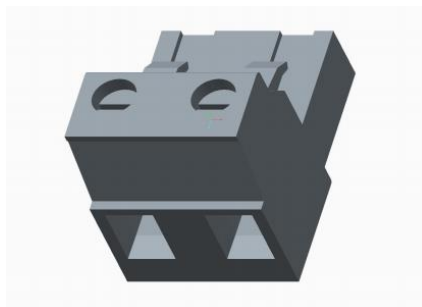
CP-GWY-100



<https://www.chiliconpower.com/#Info%20Cortex%20GATEWAY>

CP-100-3PH-ADPTR

https://www.mouser.com/datasheet/2/276/0393710002_TERMINAL_BLOCKS-136078.pdf



CP-250E-iBC



Note that the AC branch connector is now integrated with the inverter, this is NOT shown in the image above.

<https://www.chiliconpower.com/#Info%20Microinverters%20CP-250E>

CP-720-iBC

<https://www.chiliconpower.com/#Info%20Microinverters%20CP-720>

Note that both the CP-720 and CP-250E are in the same NEMA-6 enclosure shown above. The CP-720 has a white label to distinguish it from the CP-250E.

Integrated AC branch connection (same for CP250 and CP720) is shown in image below.

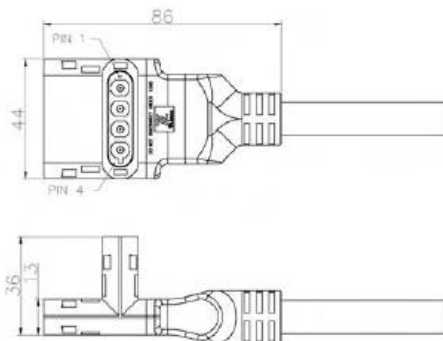
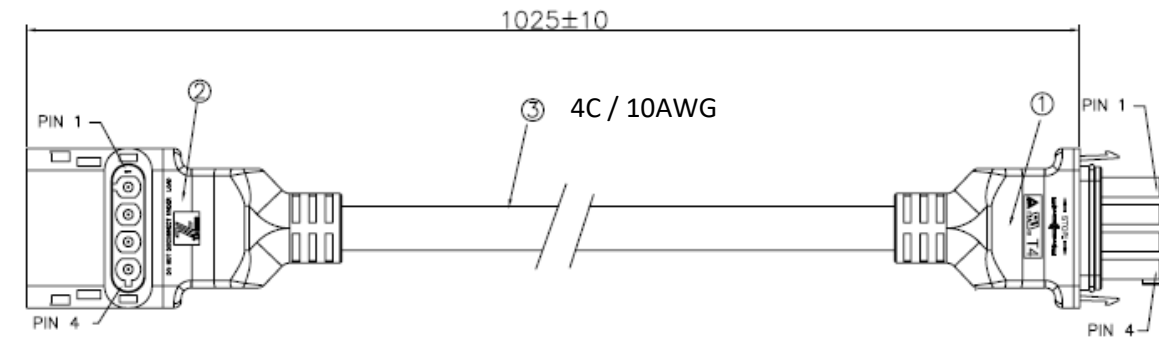
CP-720-dBC



CP-MTC-1.025 (1.025m)

CP-MTC-1.7 (1.7m)

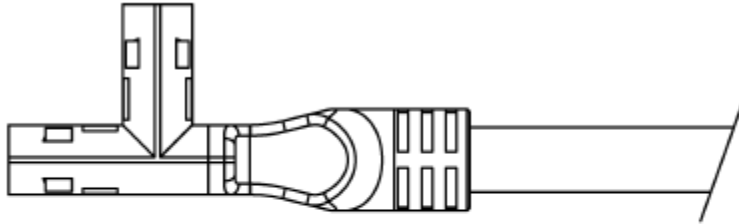
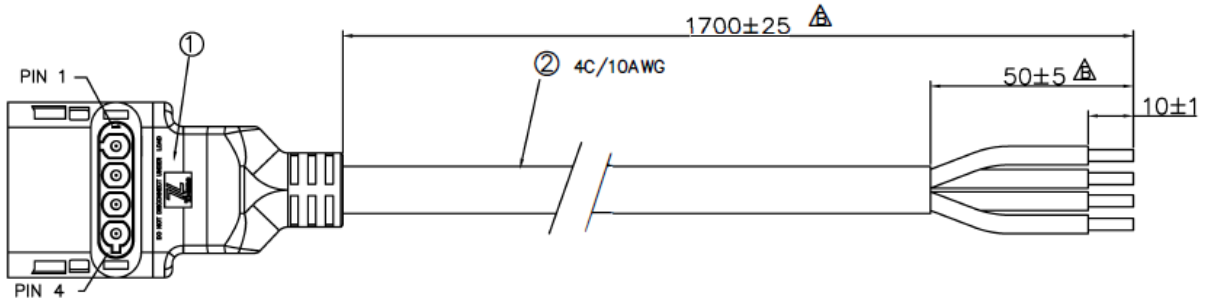
CP-MTC-2.15 (2.15m)



<https://chiliconpower.com/#Info%20Modular%20Trunk%20Cabling>

CP-MTC-JBOX

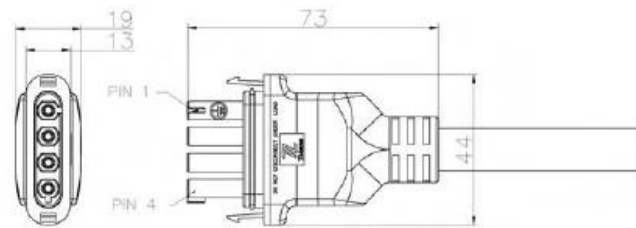
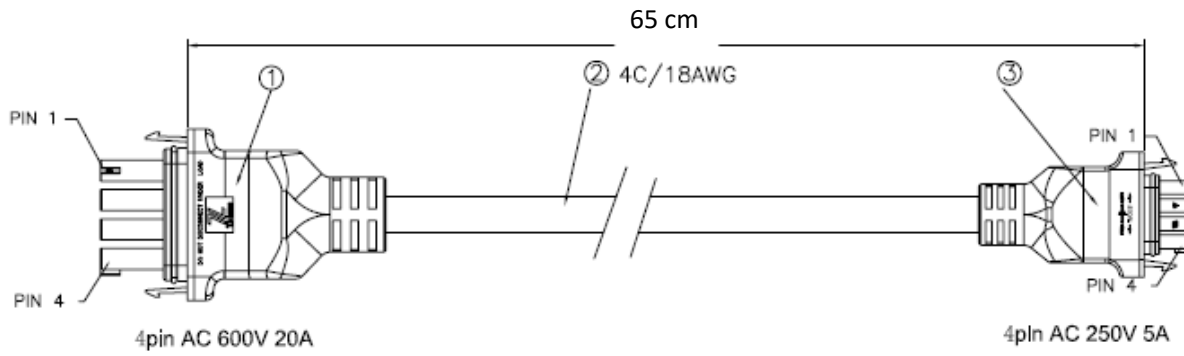
Home Run Connection (1.7 meter)



PIN 1	G: Wire Colour Green
PIN 2	L1: Wire Colour Black
PIN 3	N: Wire Colour White
PIN 4	L2: Wire Colour Red

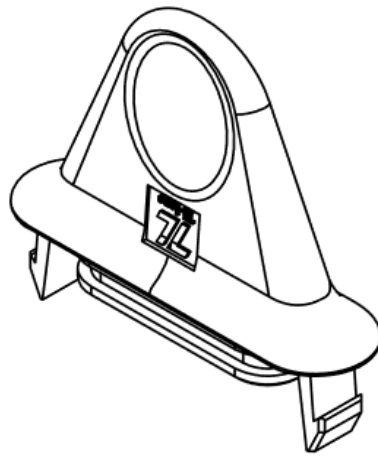


CP-MBC (65cm)

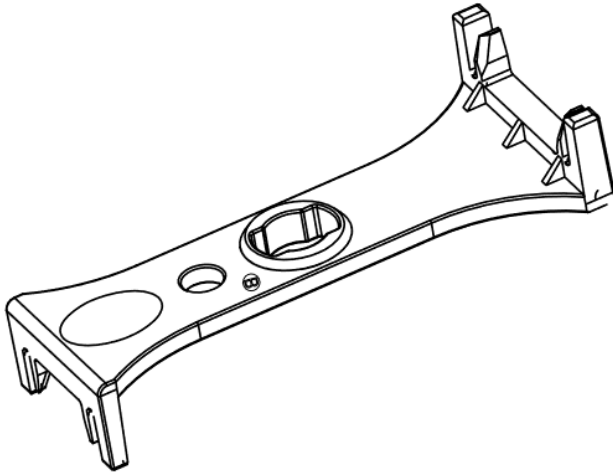


CP-T6-WTRPF-CAP

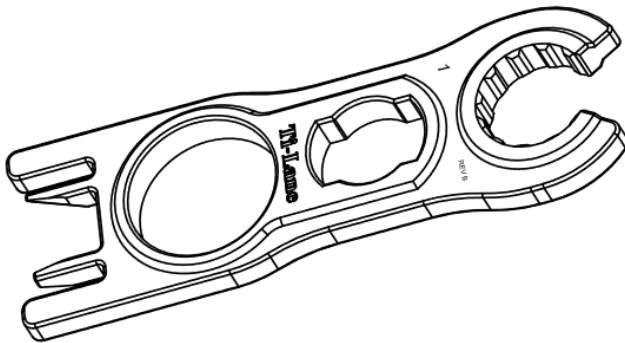
Locking waterproof cap (use AC-Tool to unlock)



CP-AC-Tool Modular AC Cable Disconnect Tool

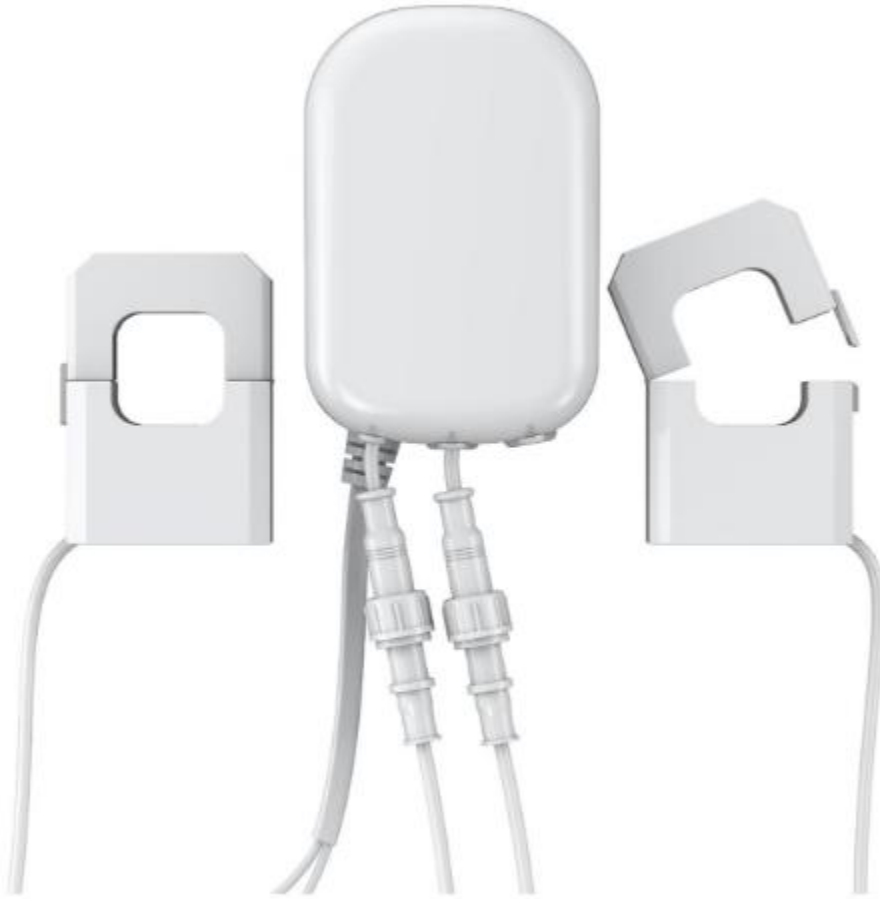


CP-DC-Tool MC4 Tool for CP Microinverters



CP-HEM

Home Power Meter – reach is 20' from CP-100 gateway to Power Meter



http://www.chiliconpower.com/images/pdf/Chilicon_Power_Gateway_Insert_v1.0.pdf

<http://www.chiliconpower.com/images/pdf/Chilicon-Power-Self-Supply-Mode-with-Zero-Net-Export.pdf>

CP-ZW-Rep

zWave Repeater – use every 20 ft in zWave network

