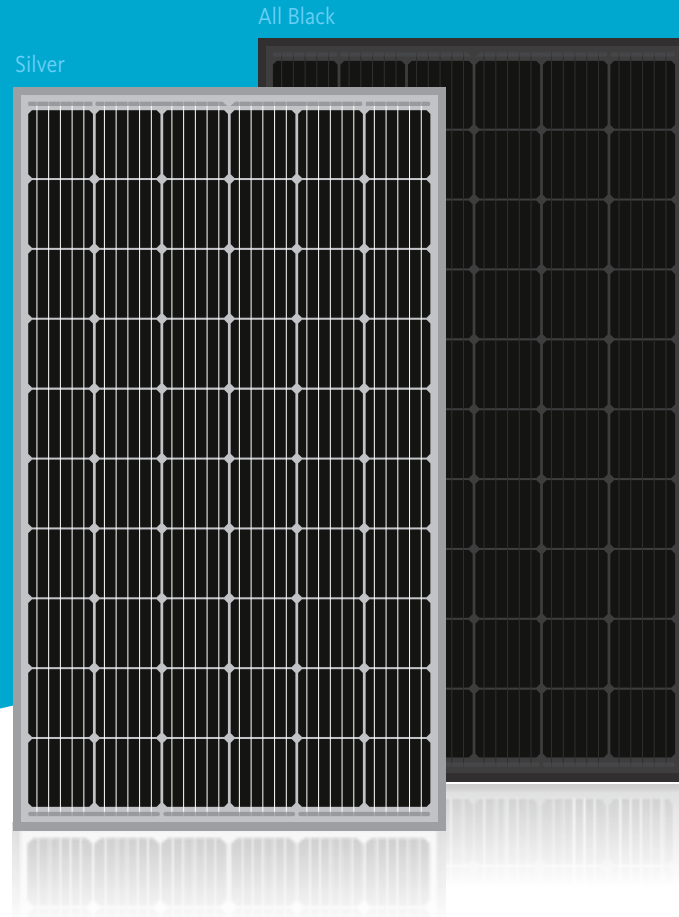


SN 60-Cell

1,000V / 1,500V Monocrystalline PV Module

300 ~ 320w

SN300M-10/15 · SN305M-10/15 SN310M-10/15
SN315M-10/15 · SN320M-10/15



QUALIFICATIONS & CERTIFICATIONS

IEC 61215 & 61730, UL 1703, ISO 9001,
ISO 14001, ISO 45001



FEATURES



Enhanced External Load/Impact

Snow Load : 5,400 Pa
Wind Load : 2,400 Pa
Hail Impact : 25m/s



Various Options Available

Black or Silver Frame
1000V or 1500V System Voltage
All Black Module



Fire Safety

Safety Class II



PID Resistance

Enhanced Potential Induced Degradation
Resistance

S-Energy Co., Ltd.

A 20 Pangyoyeok-ro 241beongil, Bundang-gu, Seongnam-si, Gyeonggi-do, Korea (3F MiraeAsset Tower)
T +82-70-4339-7100 **F** +82-70-4339-7199 **E** inquiry@s-energy.com

S-Energy America, Inc.

A 18022 Cowan, Suite 260, Irvine, CA 92614, U.S.A
T +1-949-281-7897 **F** +1-949-281-7893 **E** sales.us@s-energy.com

S-Energy Japan Co., Ltd. (Osaka Headquarters)

A 8F, MJ Abeno Bldg., 1-5-1 Maruyama-dori, Abeono-ku, Osaka-shi, Osaka, Japan
T +81-6-4703-5388 **F** +81-6-4703-5387 **E** sales.jp@s-energy.com

S-Energy Japan Co., Ltd. (Tokyo Branch)

A Fukuroku Building 2F, 2-7 Kanda-Tsukasamachi, Chiyoda-ku, Tokyo, Japan
T +81-3-6261-3759 **F** +81-3-6261-3769 **E** sales.jp@s-energy.com

Homepage



ELECTRICAL CHARACTERISTICS Silver / All Black

STC (Irradiance 1,000W/m ² , module temperature 25°C, AM=1.5)	SN300M-10/15	SN305M-10/15	SN310M-10/15	SN315M-10/15	SN320M-10/15
Rated Power (Pmax)	300W	305W	310W	315W	320W
Voltage at Pmax (Vmp)	32.9V	33.2V	33.5V	33.9V	34.3V
Current at Pmax (Imp)	9.12A	9.20A	9.26A	9.30 A	9.34A
Warranted Minimum Pmax	300W	305W	310W	315W	320W
Short-Circuit Current (Isc)	9.58A	9.64A	9.69A	9.75A	9.81A
Open-Circuit Voltage (Voc)	39.7V	39.9V	40.1V	40.3V	40.5V
Module Efficiency	18.33%	18.63%	18.94%	19.24%	19.55%
Operating Module Temperature	-40°C to + 85°C				
Maximum System Voltage	1,000V/ 1500V (DC)				
Maximum Series Fuse Rating	20A				
Power Tolerance	0 ~ +3%				

MECHANICAL CHARACTERISTICS

Solar Cells	Monocrystalline 6 inches
Number of Cells	60 Cells (6x10 Matrix)
Dimensions	1,650 x 992 x 35mm
Weight	18.5kg
Front Glass	High-Transmittance Low Iron Tempered Glass
Frame	Anodized Aluminum Frame (Silver / Black)
Output Cables	PV Wire (PV1-F), 12AWG (4mm ²), Cable Length : 900mm
Connectors	MC4 Connectable

TEMPERATURE CHARACTERISTICS

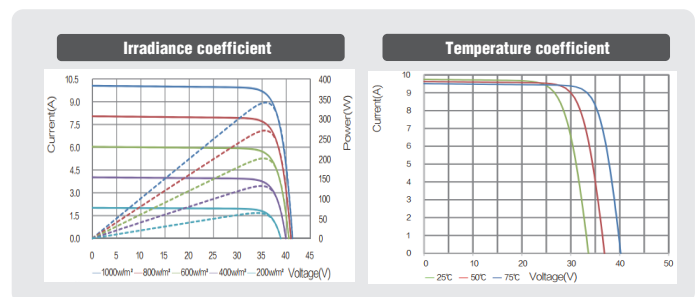
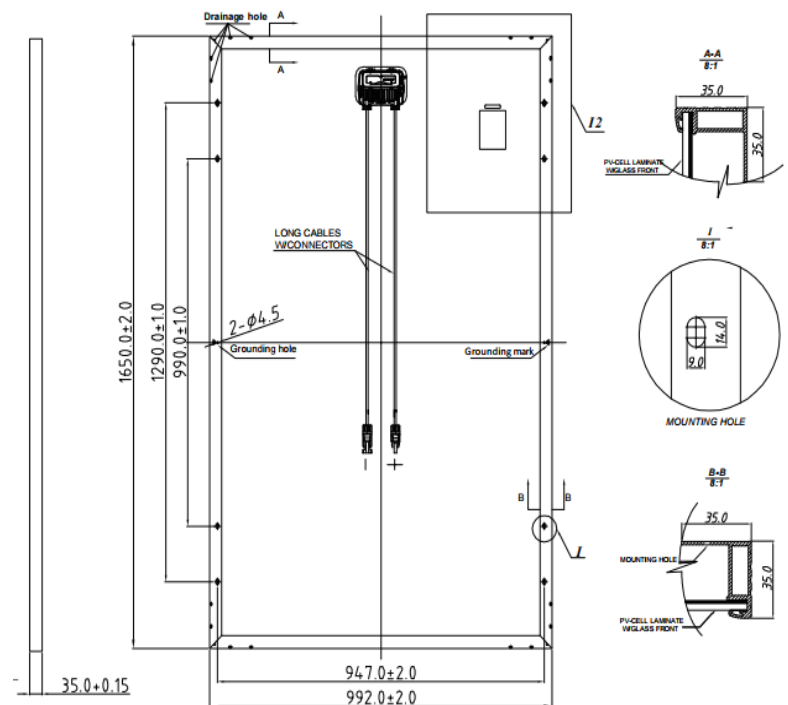
Temperature coefficient of Isc	0.05 % / °C
Temperature coefficient of Voc	-0.30 % / °C
Temperature coefficient of power	-0.39 % / °C
NMOT (Temp 20°C ; Irradiance 800W/m ² ; Wind 1m/s)	43±2 °C

WARRANTY

Product Warranty	10-year Limited Product Warranty
Performance Warranty	Minimum Power Output for Year 1 : 97%
	Maximum Power Decline from Year 2 to 24 : 0.71%
	Power Output in Year 25 : 80%

PACKING CONFIGURATION

Container	40 H/C
Modules Per Pallet	30pcs
Pallets Per Container	28pallets
Modules Per Container	840pcs



REMARKS

- Pmax measurement tolerance : ±2.5%
- S-Energy uses tripleA class simulator.
- Specification subject to change without prior notice.
- S-Energy reserves the rights of final interpretation.